

# SB09 Power-ON Brake

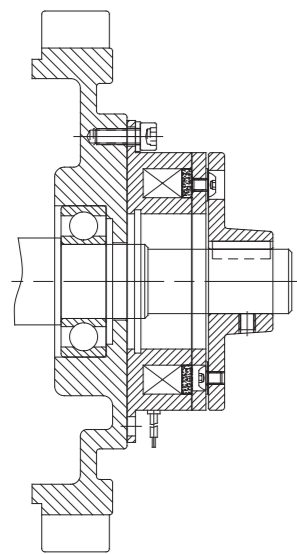


## Product Overview

SB09 Brake is a normal-open type & slim-design safety brake, in particular with its superior responsive features, and plays strong effect for urgent stoppage of the loads. With its versified structure, 3-type brakes are available for simply assembly into various kinds of machines or motors.

Its major features are:

- Solid Structure
- Operation with Silent
- Simplified Installation & Maintenance easily
- The brake coil is covered and encircled by epoxy resin, while mechanical parts are also protected by heat-resistant coating materials so that can enhance the protection capacity of its inner structure.



## Brake Working Principle

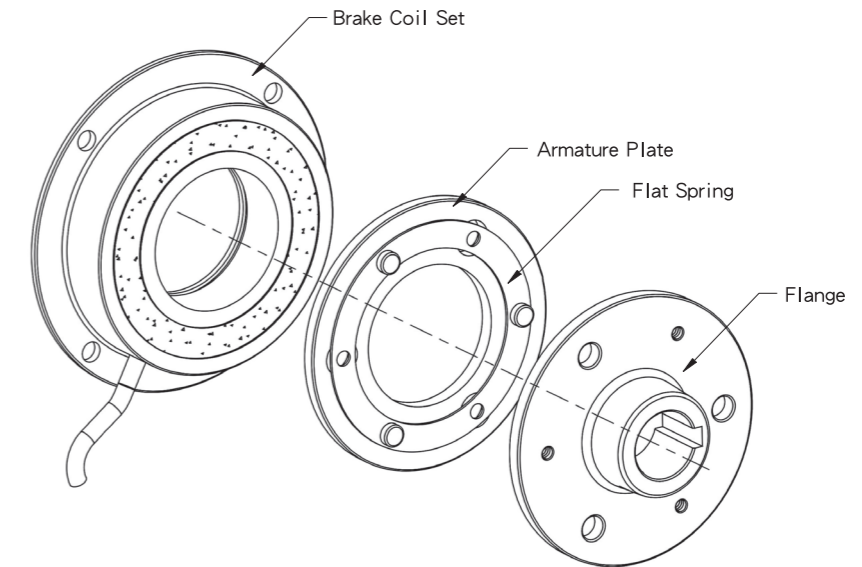
The brake is composed of build-in brake coil set with friction materials, armature plate and flange. The brake coil set is installed onto the static component of machines or the end-cap of motor. The armature plate set is consisted of armature plate, flat spring and flange which is in the opposite side of the brake coil set with specified air gap. Then, assembly and fixed onto the rotation shaft correctly.

When power is connected to the brake coil, due to excitation effect, the armature plate with the flange is pulled by the force of electromagnetic field in axial direction toward the brake coil set so that the armature plate is stopped with the friction. As power off and excitation disappeared, the armature plate is separated from the brake coil set by means of the flat spring. Then, the motor shaft is released and rotation without braking.

## Customized Production

A flange with fan type mounting onto the armature plate is designed for motor that can reduce installation space and also integrate with heat radiation & braking function.

## Structure



## Technical Data

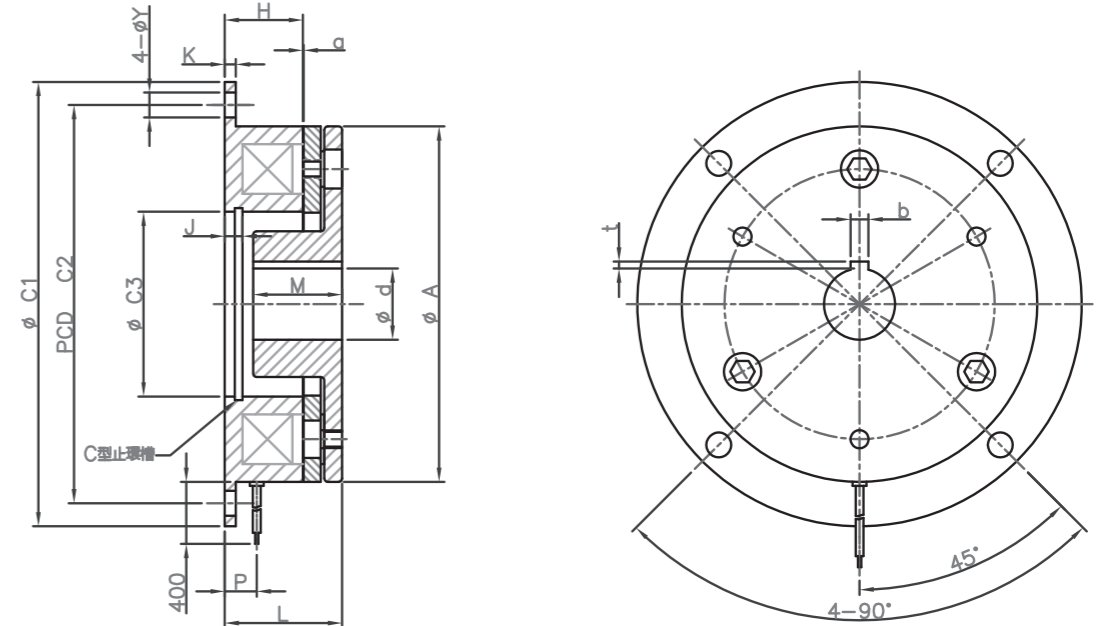
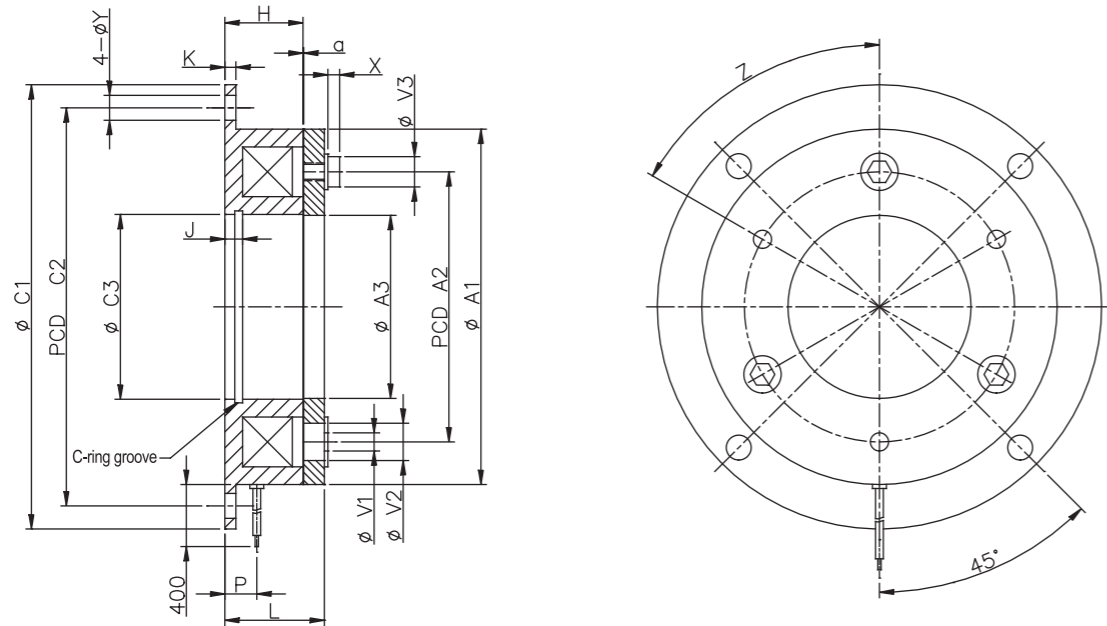
Model : SB09

Series	05	06	07	08	09	10	
Rated Torque (N.M)	6	15	25	50	100	200	
Rated Voltage(DC-V)	DC24	DC24	DC24	DC24	DC24	DC24	
Consumption Power (W)	11	15	20	25	35	45	
Insulation Class	B	B	B	B	B	B	
Max. Rotation Speed (RPM)	6000	6000	5000	4000	3000	2000	
Moment of Inertia of Rotation Parts (J·kg.m <sup>2</sup> )	Flange type <sup>Note1</sup>	A	A	A	A	A	A
		B	B	B	B	B	B
		C	C	C	C	C	C
Suction Time of Amarture Plate (S)	0.015	0.016	0.018	0.027	0.035	0.065	
Release Time of Amarture Plate (S)	0.015	0.025	0.030	0.050	0.055	0.070	

Note1 : A Without flange B Inner flange C Outer flange

## Product Series Selection As Ordering

Model	Size Spec	Types	Brake Power	Voltage
SB09	08	C Outer flange	0.06	A DC12V
SB09	05	A Without flange	Customerized torque (1~999N.M) is available, Please contact with Sunso Industry Ltd. 0.06 means the torque required is 6N.M.	A DC12V B DC24V
	06	B Inner flange		
	07	B Inner flange		
	08	C Outer flange		
	09	C Outer flange		
	10	D Blade flange		



Dimensions **A** Without flange

Unit: mm

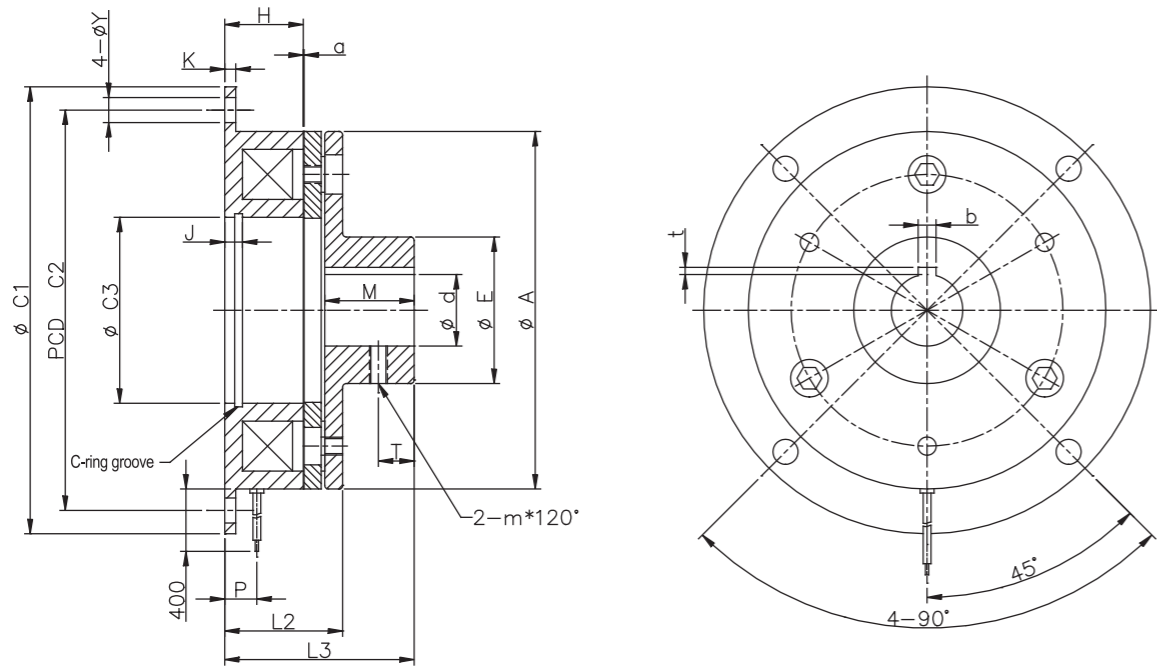
Series	05	06	07	08	09	10
A1	63	80	100	125	160	200
A2	46	60	76	95	120	158
A3	34.5	41.5	51.5	61.5	79.5	99.5
C1	80	100	125	150	190	230
C2	72	90	112	137	175	215
C3	35	42	52	62	80	100
V1	3-3.1	3-4.1	3-5.1	3-6.1	3-8.1	3-8.2
V2	3-6.3	3-8	3-10.5	3-12	3-15	3-18
V3	3-5.5	3-7	3-8.5	3-11	3-13	3-17
Y	5	6	7	7	9.5	9.5
Z	6-60°	6-60°	6-60°	6-60°	6-60°	6-60°
H	18	20	22	24	26	30
J	3.5	4.3	5	5.5	6	7
K	2.1	2.6	3.1	3.6	4.1	5.1
L	22	24.5	28	31	35	41.5
P	7.3	8.3	9	9.3	11.7	13.4
X	2.5	2.85	3.3	3.3	3.5	4.9
a	0.2	0.2	0.2	0.3	0.3	0.5
Weight (Kg)	0.28	0.5	0.91	1.68	3.15	5.9

Dimensions **B** Inner flange

Unit: mm

Series	05	06	07	08	09	10
A	63	80	100	125	160	200
C1	80	100	125	150	190	230
C2	72	90	112	137	175	215
C3	35	42	52	62	80	100
Y	5	6	7	7	9.5	9.5
H	18	20	22	24	26	30
J	3.5	4.3	5	5.5	6	7
K	2.1	2.6	3.1	3.6	4.1	5.1
L	25.5	28.5	33	37	42	50.5
M	15	20	25	30	38	45
P	7.3	8.3	9	9.3	11.7	13.4
a	0.2	0.2	0.2	0.3	0.3	0.5
d	12	15	20	25/30	30/40	40/50
b	4	5	5	7/7	7/10	10/12
t	1.5	2	2	3/3	3/3.5	3.5/3.5
Weight (Kg)	0.32	0.58	1.07	1.97	3.45	7.10

# SB09 Power-ON Brake



## Dimensions Outer flange

Unit: mm

Series	05	06	07	08	09	10
A	63	80	100	125	160	200
C1	80	100	125	150	190	230
C2	72	90	112	137	175	215
C3	35	42	52	62	80	100
E	26	31	41	49	65	83
Y	5	6	7	7	9.5	9.5
H	18	20	22	24	26	30
J	3.5	4.3	5	5.5	6	7
K	2.1	2.6	3.1	3.6	4.1	5.1
L1	37	44.5	53	61	73	86.5
L2	25.5	28.5	33	37	42	50.5
M	15	20	25	30	38	45
P	7.3	8.3	9	9.3	11.7	13.4
T	6	8	10	12	15	18
a	0.2	0.2	0.2	0.3	0.3	0.5
m	M4	M5	M5	M6	M8	M8
d	12	15	20	25/30	30/40	40/50
b	4	5	5	7/7	7/10	10/12
t	1.5	2	2	3/3	3/3.5	3.5/3.5
Weight (Kg)	0.32	0.58	1.07	1.97	3.45	7.10

